

PRODUCT INFORMATION PACKET

Model No: 056B34D2026

Catalog No: G937

1.50 HP General Purpose Motor, 1 phase, 3600 RPM, 115/208-230 V, 56 Frame, ODP
Single Phase ODP Motors





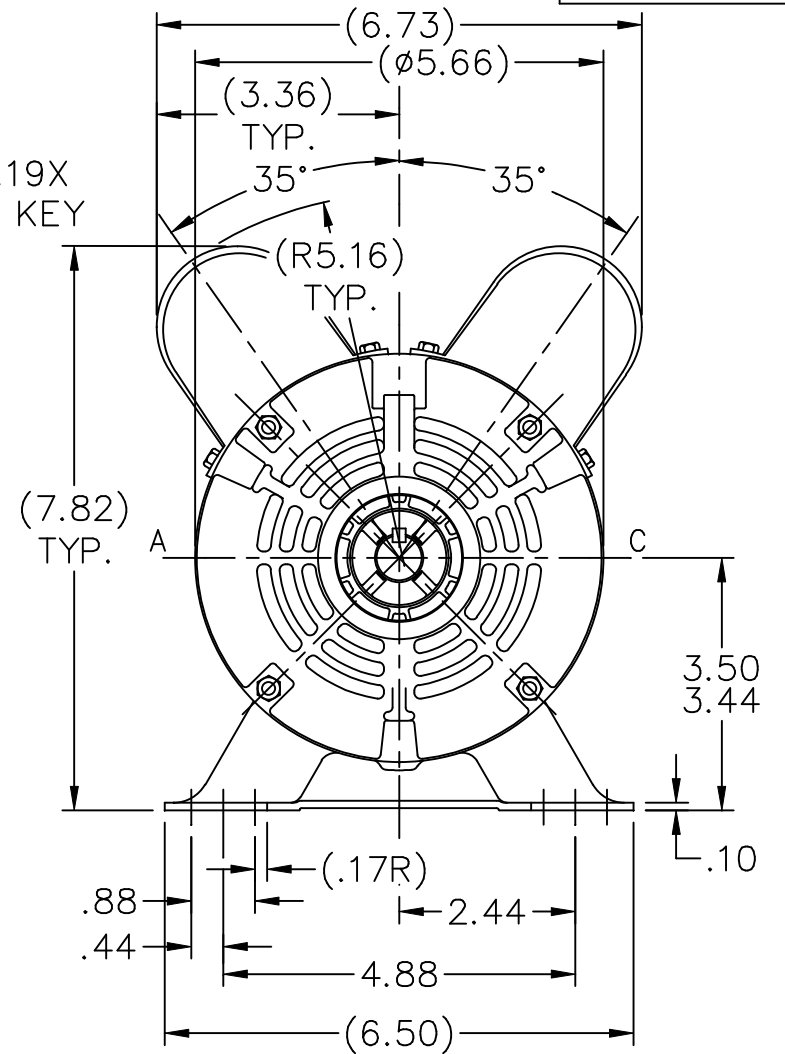
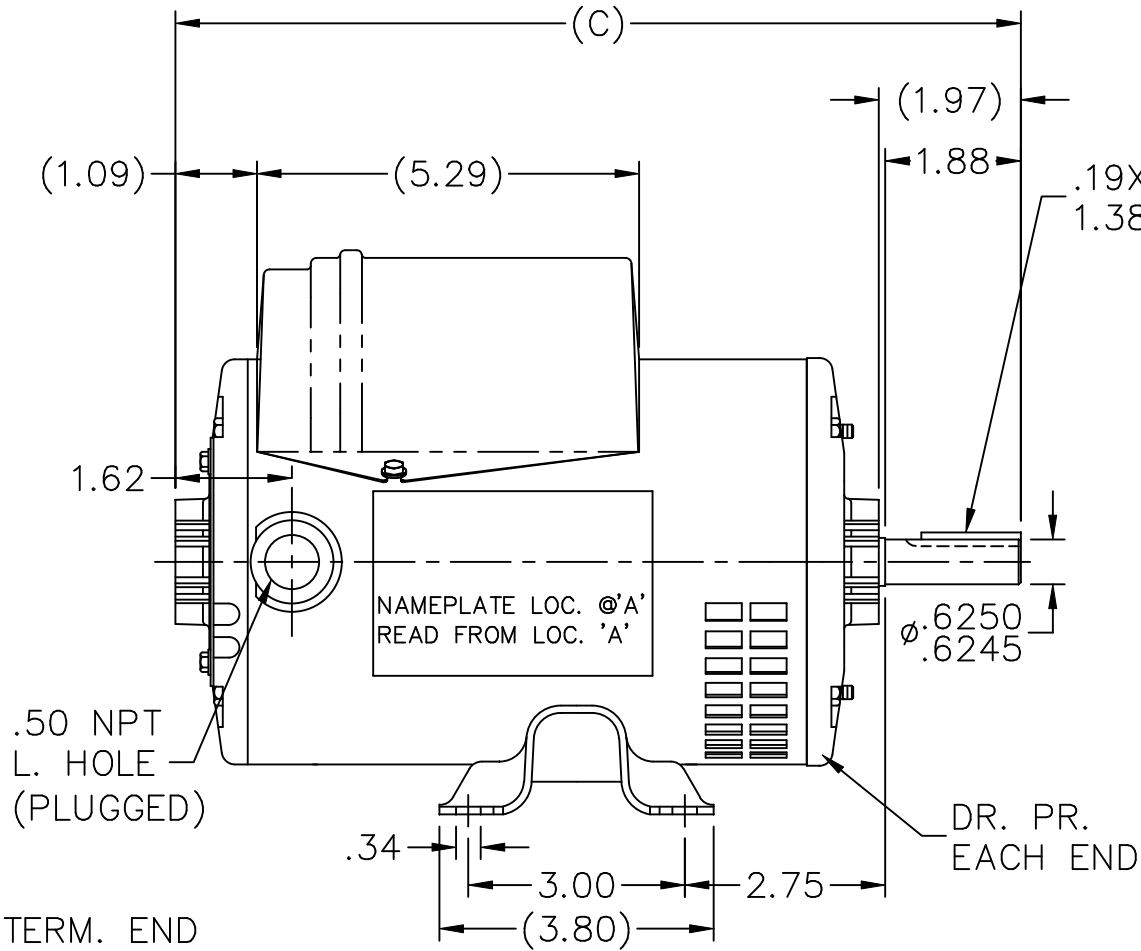
Nameplate Specifications

Output HP	1.50 Hp	Output KW	1.1 kW
Frequency	60 Hz	Voltage	115/208-230 V
Current	14.2/7.7-7.1 A	Speed	3450 rpm
Service Factor	1.15	Phase	1
Efficiency	78.5 %	Power Factor	87.6
Duty	Continuous	Insulation Class	B
Design Code	NO DESIGN CODE	KVA Code	H
Frame	56	Enclosure	Drip Proof
Thermal Protection	No	Ambient Temperature	40 °C
Drive End Bearing Size	6203	Opp Drive End Bearing Size	6203
UL	Recognized	CSA	N
CE	N	IP Code	22

Technical Specifications

Electrical Type	Capacitor Start Capacitor Run	Starting Method	Across The Line
Poles	2	Rotation	Selective Counterclockwise
Resistance Main	0 Ohms	Mounting	Rigid Base
Motor Orientation	HORIZONTAL	Drive End Bearing	BALL
Opp Drive End Bearing	BALL	Frame Material	Rolled Steel
Shaft Type	NEMA 56	Overall Length	11.72 in
Frame Length	7.75 in	Shaft Diameter	0.625 in
Shaft Extension	1.97 in	Assembly/Box Mounting	F1 ONLY

This is an uncontrolled document once printed or downloaded and is subject to change without notice. Date Created:01/11/2019



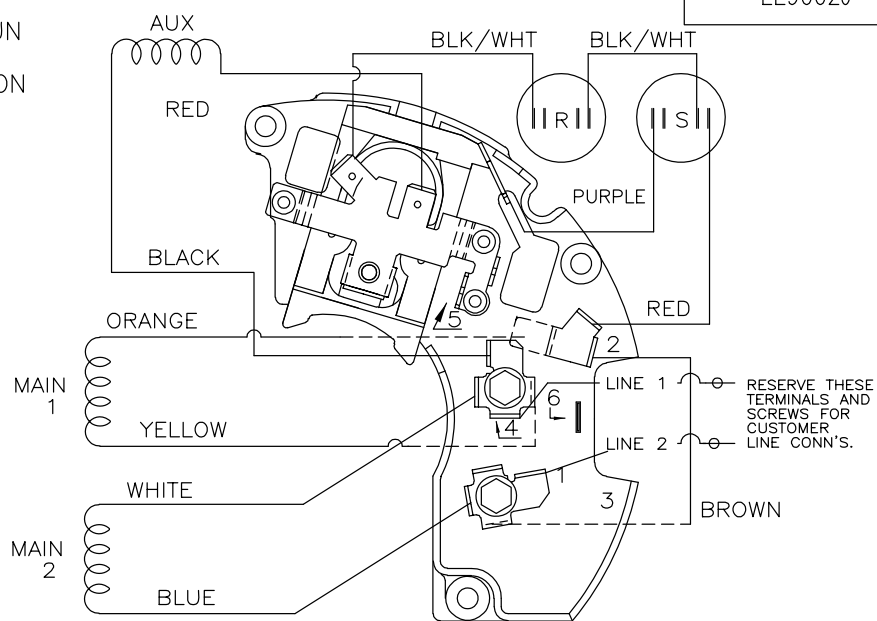
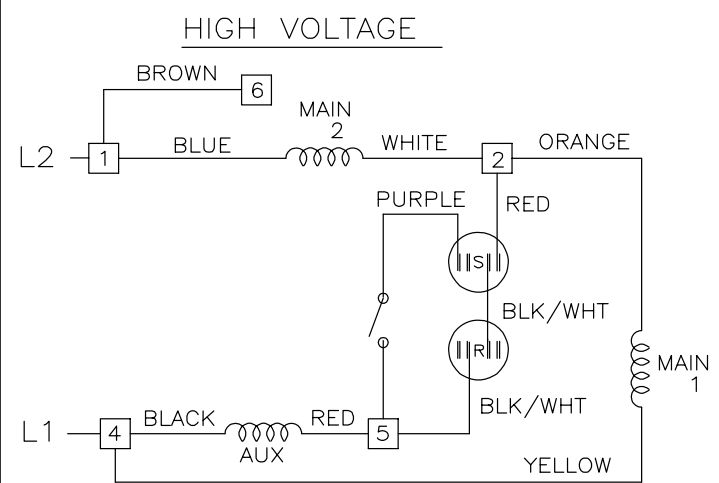
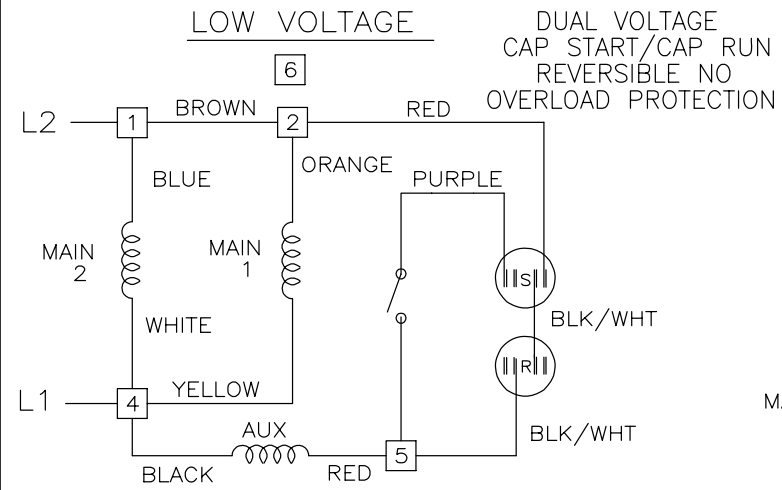
DASH	C	DASH	C	DASH	C
725	11.22	800	11.97	850	12.47
750	11.47	825	12.22		
775	11.72	875	12.72		

				TOLERANCES UNLESS SPECIFIED	
				DEC.	INCHES
				.X	±.1
				.XX	±.03
6	REDRAWN IN AUTOCAD	TAT 05-19-2005	ML	.XXX	±.005
5	REDRAWN ON CADD - UPDATED	RM 10-20-1992		.XXXX	±.0005
NO.	REVISION	BY & DATE	CHK	ANG	±'30"
				RFP	
				DIST	WP

		DRAWN RM 10-03-1990	
		CHK ML 10-04-990	APPD RJS 10-20-1992
TITLE OUTLINE		SCALE	3=8
48 FR. - 1Ø		REF	
MAT'L.		FMF	
FINISH		PREV	
CAD FILE	ss73736	SIZE	A
DRAWING NO.	SS73736	PAGE	OF
			6

THIS DRAWING IN DESIGN AND DETAIL IS OUR PROPERTY AND MUST NOT BE USED EXCEPT IN CONNECTION WITH OUR WORK ALL RIGHTS OF DESIGN AND INVENTION ARE RESERVED THIS IS AN ELECTRONICALLY GENERATED DOCUMENT - DO NOT SCALE THIS PRINT

EE9002J



VIEWING TERM END

LOW VOLTAGE CCW ROTATION SHOWN.

FOR HIGH VOLTAGE
CONNECT BROWN TERM 2 TO TERM 6.
CONNECT WHITE TERM 4 TO TERM 2.

TO REVERSE ROTATION EITHER
VOLTAGE INTERCHANGE RED
LEAD WITH BLACK LEAD.

DASH LINES INDICATE LEADS CONNECTED
TO MOTOR SIDE OF SWITCH.

		TOLERANCES UNLESS SPECIFIED			DRAWN SVL 6/17/2013
		DEC.	INCHES		CHK
		.X	± -		APPD
		.XX	± -		SCALE NTS
				TITLE CONNECTION DIAGRAM	REF EE9002J
				48 FR. - DUAL VOLTAGE REVERSIBLE	FMF PR132489
2	TEMPLATE LOGO CHNAGED FROM MARATHON TO DAYTON	KR 05/16/2014	VS .XXXX ± -	MAT'L.	PREV
NO.	REVISION	BY & DATE	CHK ANG ± -	FINISH	
THIS DRAWING IN DESIGN AND DETAIL IS OUR PROPERTY AND MUST NOT BE USED EXCEPT IN CONNECTION WITH OUR WORK ALL RIGHTS OF DESIGN AND INVENTION ARE RESERVED THIS IS AN ELECTRONICALLY GENERATED DOCUMENT - DO NOT SCALE THIS PRINT				RFP	CAD FILE ee9002j
				DIST	SIZE A
				DRAWING NO. EE9002J	PAGE 1 OF 2
					REV. 02